

ÜBERSICHTSZEICHNUNG

ASSEMBLY DRAWING

GHOST



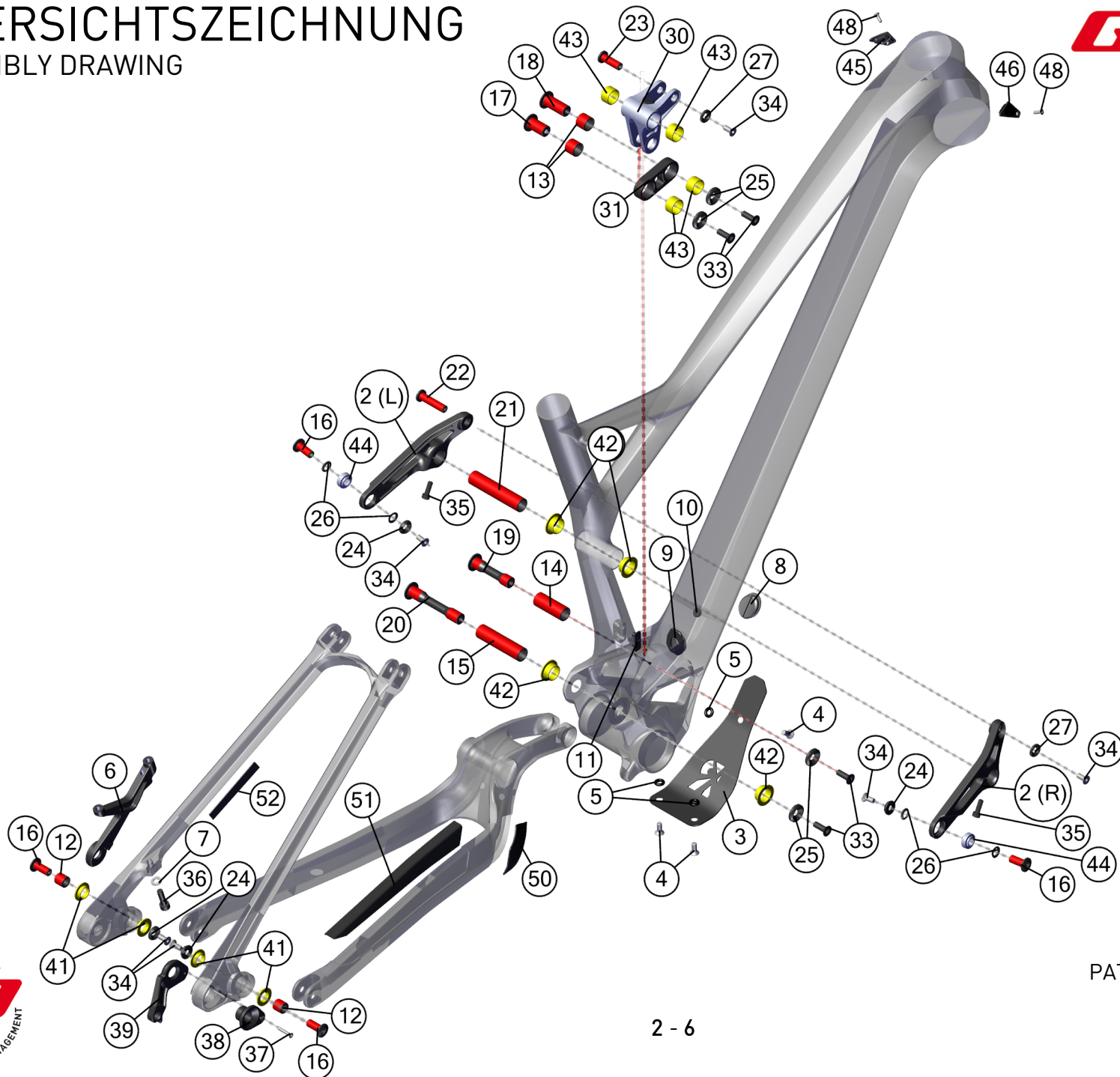
PATHRIOT 10 UC & PATHRIOT 8 UC

2016-11-08 02

V02

ÜBERSICHTSZEICHNUNG ASSEMBLY DRAWING

GHOST



ÜBERSICHTSZEICHNUNG

ASSEMBLY DRAWING

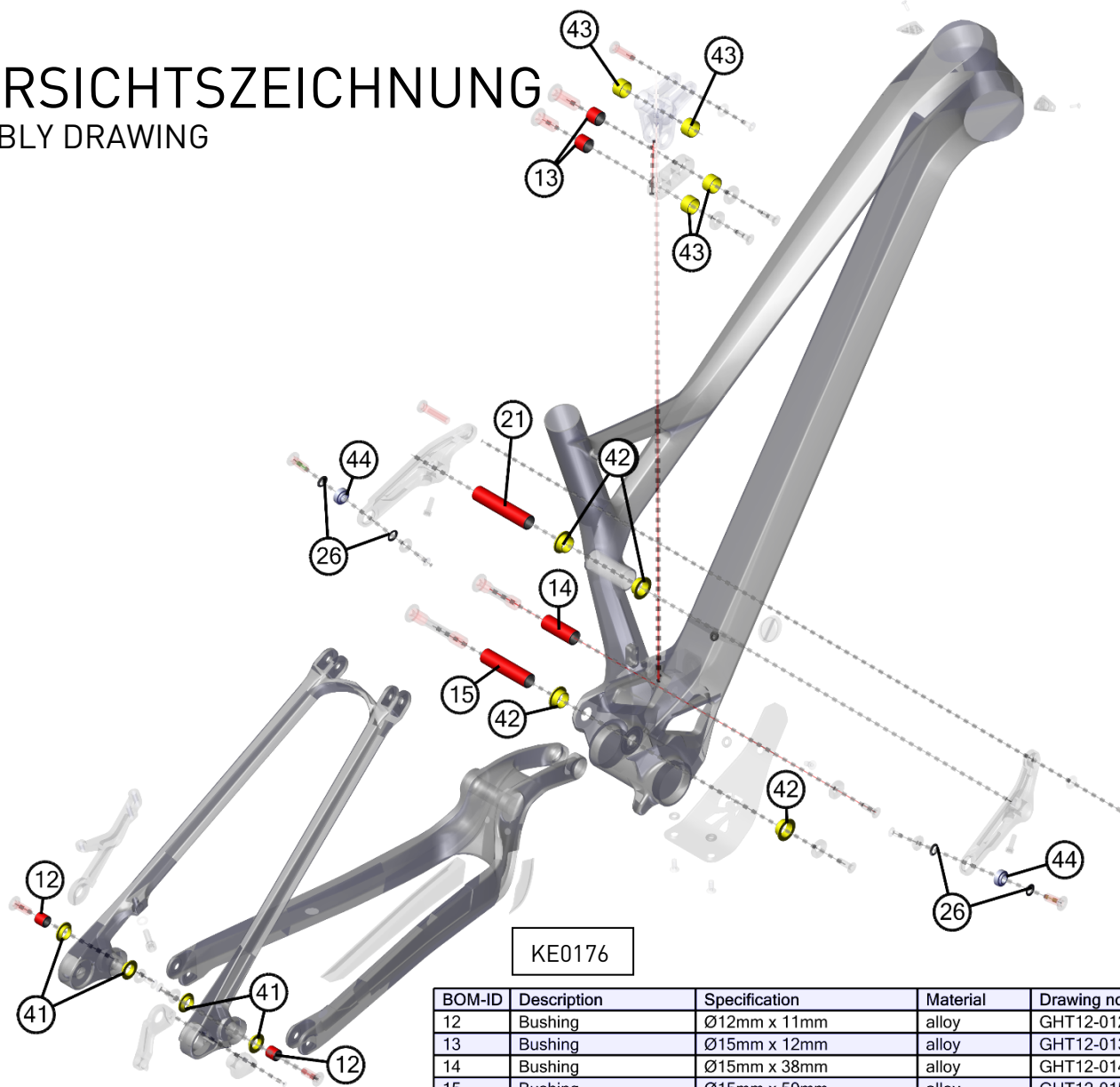
GHOST

| BOM-ID | Description | Specification | Torque | Drawing no. | Item no. | QTY |
|--------|--------------------------|-----------------|--------|-------------|----------|-----|
| 2 (L) | Rocker (left) | | | GHT12-028C | SM1087 | 1 |
| 2 (R) | Rocker (right) | | | GHT12-028C | SM1087 | 1 |
| 3 | BB protector | | | GHT16-002D | FRPR0002 | 1 |
| 4 | BB protector screw | T25 - M5 x 10mm | 6 Nm | GHT16-004A | FRSC0014 | 3 |
| 5 | BB protector washer | | | GHT16-005A | FRWS0005 | 3 |
| 6 | Disc Brake Mount | | | GHT14-006A | SM1387 | 1 |
| 7 | Washer | | | GHT12-004A | SM1047 | 1 |
| 8 | Plastic Cover | | | GHT12-008A | SM1052 | 1 |
| 9 | Cable Routing Plug | | | GHT12-009A | SM1053 | 1 |
| 10 | DT cap closed | | | GHM09-019A | SM1397 | 1 |
| 11 | FD cap | | | GHM09-015 | SM1396 | 1 |
| 12 | Bushing | | | GHT12-012C | SM1060 | 2 |
| 13 | Bushing | | | GHT12-013A | SM1061 | 2 |
| 14 | Bushing | | | GHT12-014A | SM1062 | 1 |
| 15 | Bushing | | | GHT12-015B | SM1063 | 1 |
| 16 | Axle | | | GHT12-016C | SM1074 | 4 |
| 17 | Axle | | | GHT12-017B | SM1075 | 1 |
| 18 | Axle | | | GHT12-018C | SM1076 | 1 |
| 19 | Axle | | | GHT12-019B | SM1077 | 1 |
| 20 | Axle | | | GHT12-020B | SM1078 | 1 |
| 21 | rocker-main-axle | | | GHT12-021A | SM1064 | 1 |
| 22 | shock-axle | | | GHT12-022B | SM1083 | 1 |
| 23 | shock-axle | | | GHT12-023B | SM1084 | 1 |
| 24 | Bearing Cap | | | GHT12-024B | SM1079 | 4 |
| 25 | Bearing Cap | | | GHT12-025B | SM1080 | 4 |
| 26 | Washer | | | GHT12-026B | SM1065 | 4 |
| 27 | Washer | | | GHT12-027C | SM1085 | 2 |
| 30 | RIOT Rocker | | | GHT12-030B | SM1090 | 1 |
| 31 | Connected Block | | | GHT16-001C | SM1622 | 1 |
| 33 | Screw | T25 - M6 x 18mm | 8 Nm | GHT12-033B | SM1081 | 4 |
| 34 | Screw M5 | T25 - M5 x 14mm | 6 Nm | GHT12-034B | SM1082 | 6 |
| 35 | Screw M5 | T25 - M5 x 14mm | 6 Nm | GHT12-035C | SM1088 | 2 |
| 36 | Post Mount Screw | T30 - M6 x 20mm | 8 Nm | GHT12-037B | SM1372 | 1 |
| 37 | Flat Head Screw M4 | T10 - M4 x 18mm | 0,5 Nm | GHT12-060 | FRSC0060 | 1 |
| 38 | Hanger Nut | | | GHT12-061 | FRNT0061 | 1 |
| 39 | Shimano Hanger (A1) | | | GHT12-058 | FRHG0058 | 1 |
| 41 | self-lubricating bearing | | | GHT12-041B | SM1068 | 4 |
| 42 | self-lubricating bearing | | | GHT12-042B | SM1067 | 4 |
| 43 | self-lubricating bearing | | | GHT12-043B | SM1069 | 4 |
| 44 | Bearing | | | GHT12-044A | SM1066 | 2 |
| 45 | HT cap left; RB & RD | | | GHT12-005B | SM1401 | 1 |
| 46 | HT cap right; SP & RS | | | GHT12-006B | SM1050 | 1 |
| 48 | Flat Head Screw M3 | T10 - M3 x 10mm | 0,5 Nm | GHT12-038B | SM1524 | 2 |
| 50 | CS Protector | | | GHT12-040A | SM1059 | 1 |
| 51 | CS Protector | | | GHT12-056A | SM1621 | 1 |
| 52 | DB protector | | | GHT14-009A | SM1392 | 1 |

ÜBERSICHTSZEICHNUNG

ASSEMBLY DRAWING

GHOST



KE0176

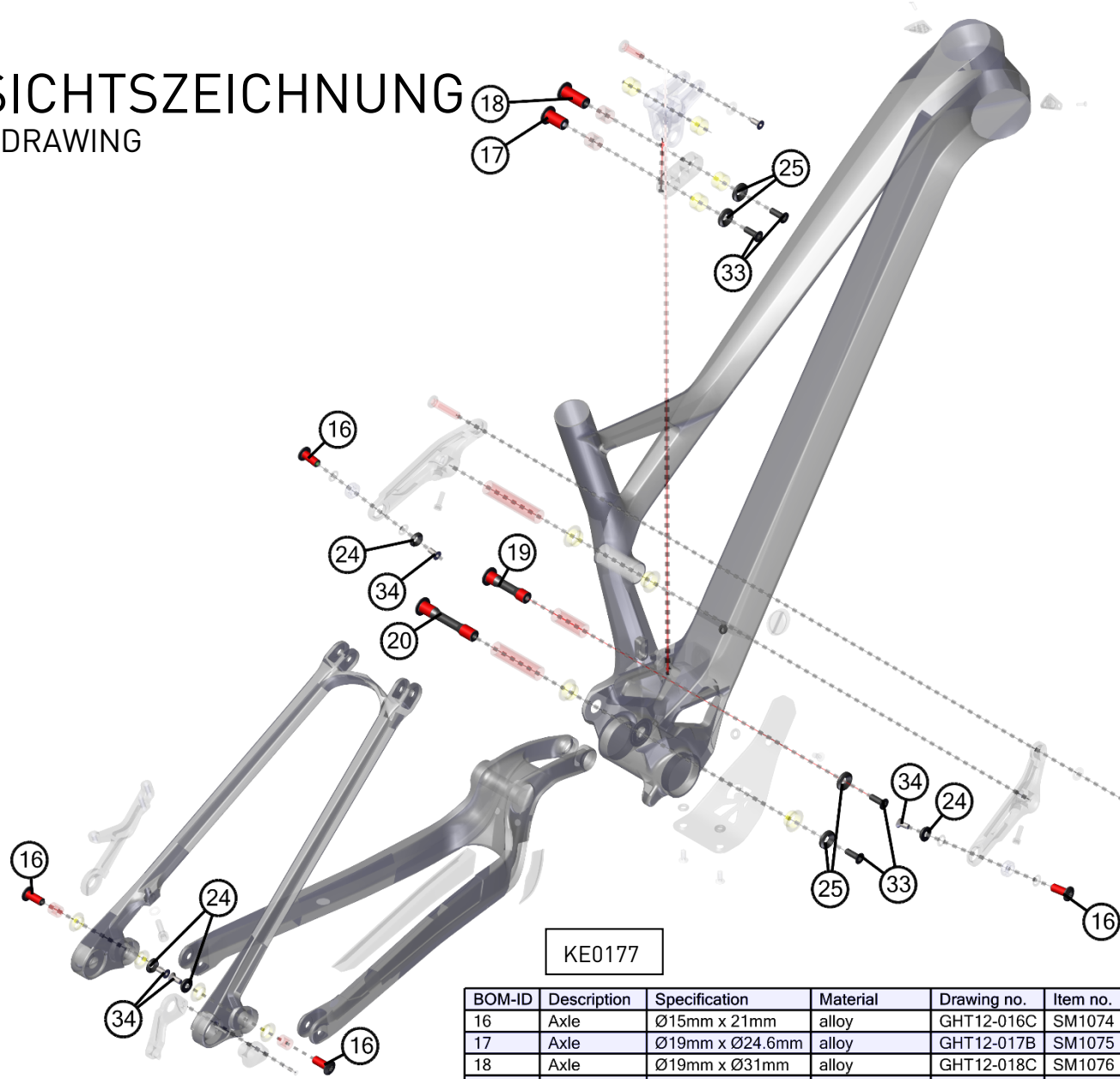
| BOM-ID | Description | Specification | Material | Drawing no. | Item no. | QTY |
|--------|--------------------------|-----------------------|---------------|-------------|----------|-----|
| 12 | Bushing | Ø12mm x 11mm | alloy | GHT12-012C | SM1060 | 2 |
| 13 | Bushing | Ø15mm x 12mm | alloy | GHT12-013A | SM1061 | 2 |
| 14 | Bushing | Ø15mm x 38mm | alloy | GHT12-014A | SM1062 | 1 |
| 15 | Bushing | Ø15mm x 59mm | alloy | GHT12-015B | SM1063 | 1 |
| 21 | rocker-main-axle | Ø15mm x 71mm | alloy | GHT12-021A | SM1064 | 1 |
| 26 | Washer | Ø12.3mm x 1.5mm | alloy | GHT12-026B | SM1065 | 4 |
| 41 | self-lubricating bearing | Ø17mm x Ø15mm x 7.5mm | steel + PTFE | GHT12-041B | SM1068 | 4 |
| 42 | self-lubricating bearing | Ø14mm x Ø12mm x 4.6mm | steel + PTFE | GHT12-042B | SM1067 | 4 |
| 43 | self-lubricating bearing | Ø17mm x Ø15mm x 9.6mm | steel + PTFE | GHT12-043B | SM1069 | 4 |
| 44 | Bearing | Ø16mm x Ø8mm x 8mm | bearing steel | GHT12-044A | SM1066 | 2 |

PATHRIOT 10 UC & PATHRIOT 8 UC
2016-11-08 02
V02

ÜBERSICHTSZEICHNUNG

ASSEMBLY DRAWING

GHOST



KE0177

| BOM-ID | Description | Specification | Material | Drawing no. | Item no. | QTY |
|--------|-------------|-----------------|-----------------|-------------|----------|-----|
| 16 | Axle | Ø15mm x 21mm | alloy | GHT12-016C | SM1074 | 4 |
| 17 | Axle | Ø19mm x Ø24.6mm | alloy | GHT12-017B | SM1075 | 1 |
| 18 | Axle | Ø19mm x Ø31mm | alloy | GHT12-018C | SM1076 | 1 |
| 19 | Axle | Ø19mm x Ø53mm | alloy | GHT12-019B | SM1077 | 1 |
| 20 | Axle | Ø19mm x Ø71.5mm | alloy | GHT12-020B | SM1078 | 1 |
| 24 | Bearing Cap | Ø15mm x 3.3mm | alloy | GHT12-024B | SM1079 | 4 |
| 25 | Bearing Cap | Ø19mm x 4.0mm | alloy | GHT12-025B | SM1080 | 4 |
| 33 | Screw | T30 - M6 x 18mm | stainless steel | GHT12-033B | SM1081 | 4 |
| 34 | Screw | T25 - M5 x 14mm | stainless steel | GHT12-034B | SM1082 | 6 |

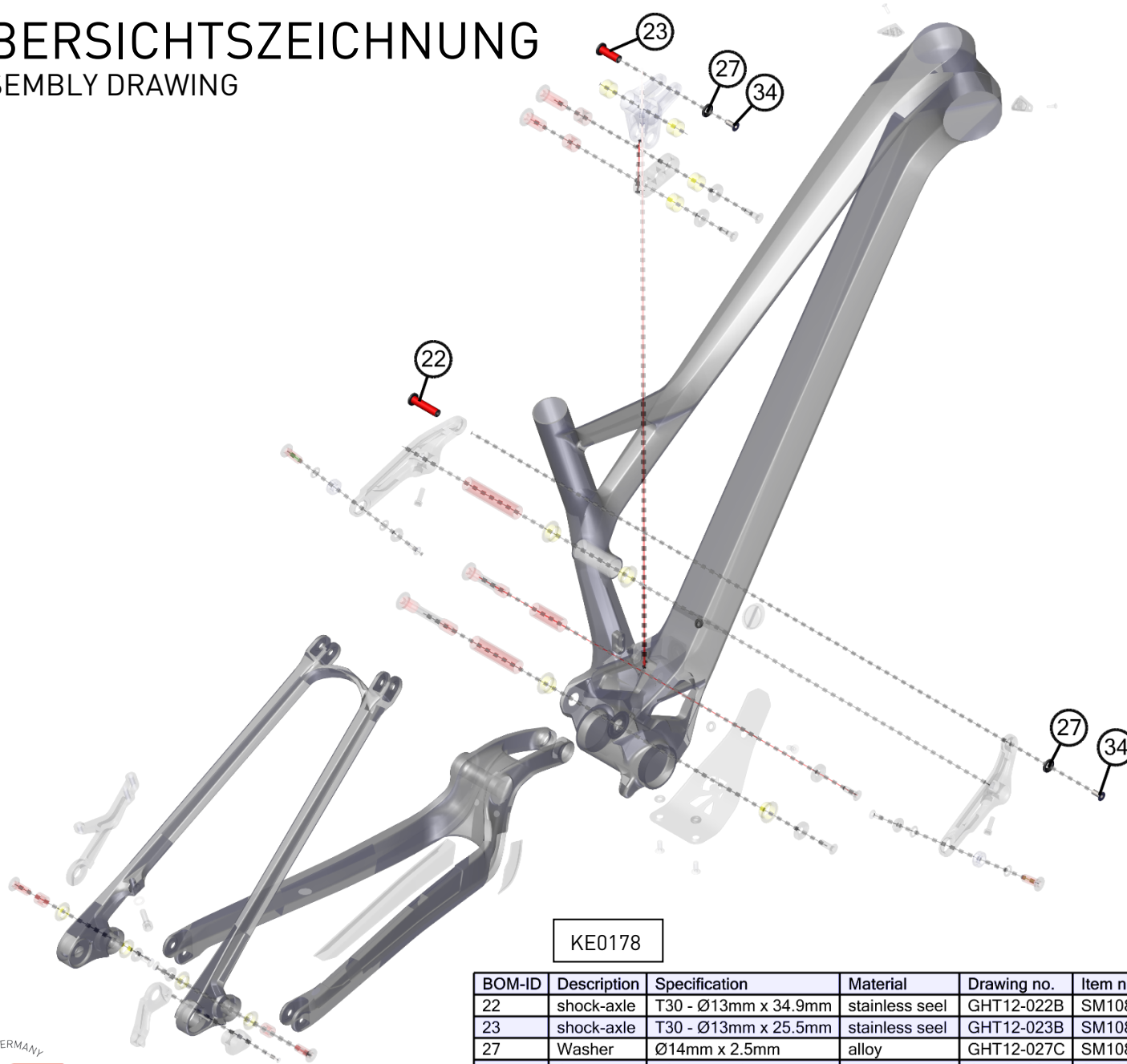


PATHRIOT 10 UC & PATHRIOT 8 UC
2016-11-08 02
V02

ÜBERSICHTSZEICHNUNG

ASSEMBLY DRAWING

GHOST



KE0178

| BOM-ID | Description | Specification | Material | Drawing no. | Item no. | QTY |
|--------|-------------|----------------------|-----------------|-------------|----------|-----|
| 22 | shock-axle | T30 - Ø13mm x 34.9mm | stainless seel | GHT12-022B | SM1083 | 1 |
| 23 | shock-axle | T30 - Ø13mm x 25.5mm | stainless seel | GHT12-023B | SM1084 | 1 |
| 27 | Washer | Ø14mm x 2.5mm | alloy | GHT12-027C | SM1085 | 2 |
| 34 | Screw M5 | T25 - M5 x 14mm | stainless steel | GHT12-034B | SM1082 | 2 |



PATHRIOT 10 UC & PATHRIOT 8 UC
2016-11-08 02
V02